



**KITCHEN EQUIPMENT**

**SERVING THE FOOD INDUSTRY SINCE 1951**

## **SPIRAL MIXER WITH FIXED BOWL**

**Items: 45417, 45418, 47417, 47418**



47417/47418



45417

45418



**WARRANTY**  
PARTS AND LABOR



Intertek

Intertek

For 45417 & 47417

NEMA  
5 - 15R  
125 VAC / 15 AMP  
RECEPTACLE



For 45418 & 47418

NEMA  
6 - 20R  
250 VAC / 20 AMP  
RECEPTACLE



Authorized Dealer

# KITCHEN EQUIPMENT

## SPIRAL MIXERS WITH FIXED BOWLS

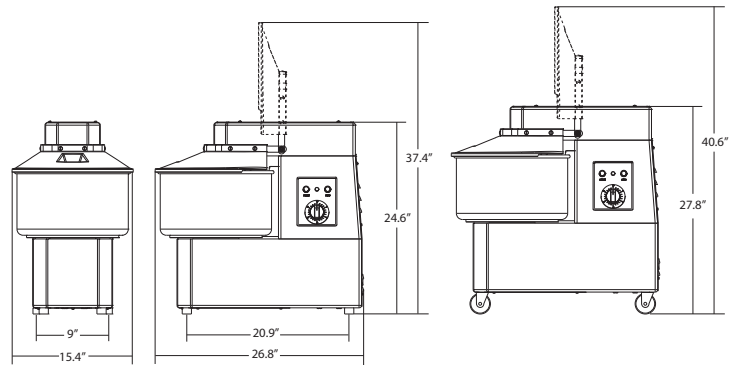


### FEATURES

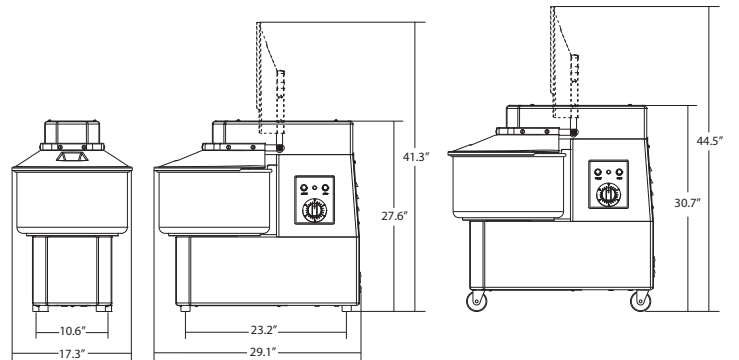
- Made from large thickness C40 steel
- Scratch resistant powder coating
- The bowl is made with reinforced edge and AISI 304 stainless steel shaft
- Froged spiral tool
- Lid with opening to add ingredients during operation
- High efficiency ventilated motor with oil-bath gear box
- Thermal overload protection circuit breaker



	<b>21L Spiral Mixer with Fixed Bowl</b>	<b>21L Spiral Mixer with Fixed Bowl and Timer</b>
<b>Item</b>	45417	47417
<b>Model</b>	MX-IT-0020-F	MX-IT-0020-FT
<b>Power</b>	750 W / 1 HP	750 W / 1 HP
<b>Electrical</b>	120V / 60Hz	120V / 60Hz
<b>RPM (Bowl/Spiral)</b>	10 / 85	10 / 85
<b>Bowl Dimensions</b>	Ø 14.2" x 8.3"	Ø 14.2" x 8.3"
<b>Net Weight</b>	153.7 lbs / 69.7 kg	153.7 lbs / 69.7 kg
<b>Gross Weight</b>	179 lbs / 81.2 kg	179 lbs / 81.2 kg
<b>Dimensions (DWH)</b>	26.8" x 15.4" x 24.6" (Open Lid: 37.4")	26.8" x 15.4" x 24.6" (Open Lid: 37.4")
<b>Gross Dimensions</b>	22.8" x 32.7" x 39.4"	22.8" x 32.7" x 39.4"



	<b>32L Spiral Mixer with Fixed Bowl</b>	<b>32L Spiral Mixer with Fixed Bowl and Timer</b>
<b>Item</b>	45418	47418
<b>Model</b>	MX-IT-0030-F	MX-IT-0030-FT
<b>Power</b>	1100 W / 1.5 HP	1100 W / 1.5 HP
<b>Electrical</b>	220V / 60Hz	220V / 60Hz
<b>RPM (Bowl/Spiral)</b>	10 / 85	10 / 85
<b>Bowl Dimensions</b>	Ø 15.7" x 10.2"	Ø 15.7" x 10.2"
<b>Net Weight</b>	210.3 lbs / 95.4 kg	210.3 lbs / 95.4 kg
<b>Gross Weight</b>	235.7 lbs / 106.9 kg	235.7 lbs / 106.9 kg
<b>Dimensions (DWH)</b>	29.1" x 17.3" x 27.6" (Open Lid: 41.3")	29.1" x 17.3" x 27.6" (Open Lid: 41.3")
<b>Gross Dimensions</b>	22.8" x 32.7" x 39.4"	22.8" x 32.7" x 39.4"



## OMCAN INC.

Telephone: 1-800-465-0234  
 Fax: (905) 607-0234  
 Email: sales@omcan.com  
 Website: www.omcan.com



Follow us to keep up to date with the latest news and offers

